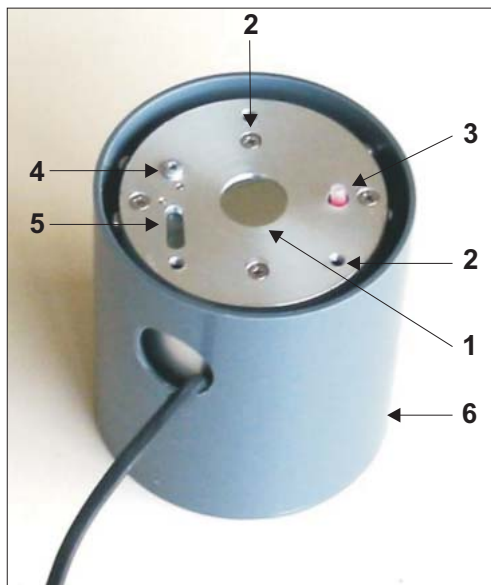


Passive Infrared Telescope - flush mounted

- Flush mounted, so it only can be identified hardly with its cover but not at all.
- The extreme narrow-angle horizontal detection area - **only 0,7 degree** - will allow the installation of geometrically exactly limited monitoring curtains parallel to walls, e.g. in picture galleries.
- **Large vertical detection area**; 100% coverage of the detection area due to the use of an internal system of mirrors.
- Detects even extremely slow movement (0.2 m/s) at right angles to the detection axis.

Passive Infrared Telescope SPI 40 UP



- 1 - Optical system with germanium lens
- 2 - Rotation - Adjustment
- 3 - Laser - Start Bottom
(Operating time approx. 5 min)
- 4 - Adjustment screw (Horizontal)
- 5 - Laserpointer (Class 1)
- 6 - Flush-mounting box

The sensor will be installed in a flush-mounting box with a diameter of 100 mm and a depth of 100 mm.

In order to adjust the sensor assembly, a laser pointer can be connected.

After being installed and adjusted, the sensor will be covered by a lid that is flush with the wall. The lid can be wallpapered or painted over with emulsion.

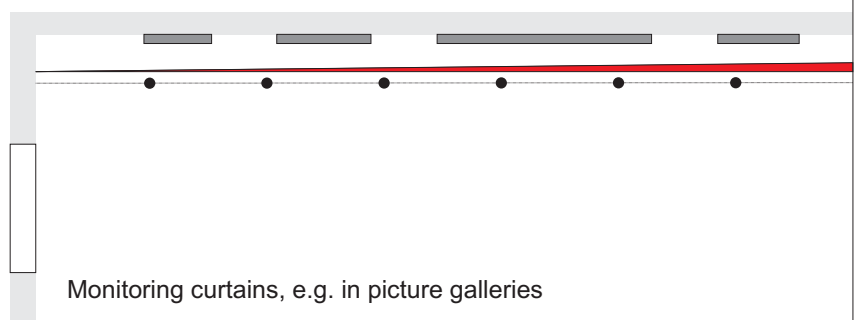
At the end, the sensor opening which has a diameter of 20 mm will be covered by a lid in which a PE film is integrated, so that the sensor optic is concealed.

The PE film can be replaced and thus adapted so as to match the design of the wall, wallpaper or wall paneling.



Sensor completed

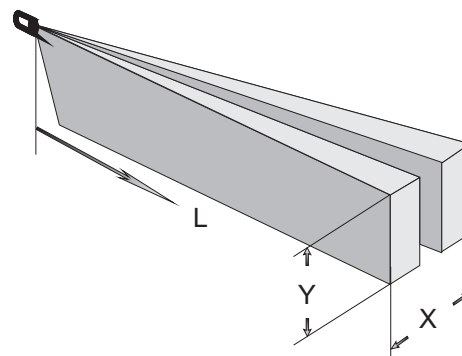
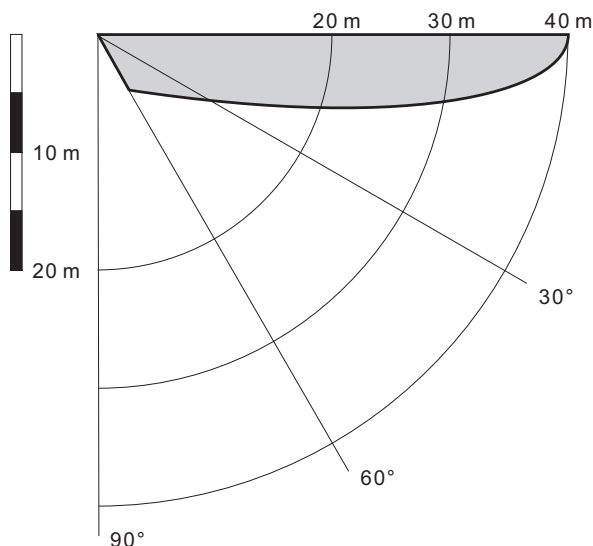
Flush mounted



Monitoring curtains, e.g. in picture galleries

PASSIVE INFRARED TELESCOPES

Brief descriptions and data sheets



SPI 40 UP see note (1)

L (m)	X (m)	Y (m)
20	0,25	2,0
40	0,50	2,0

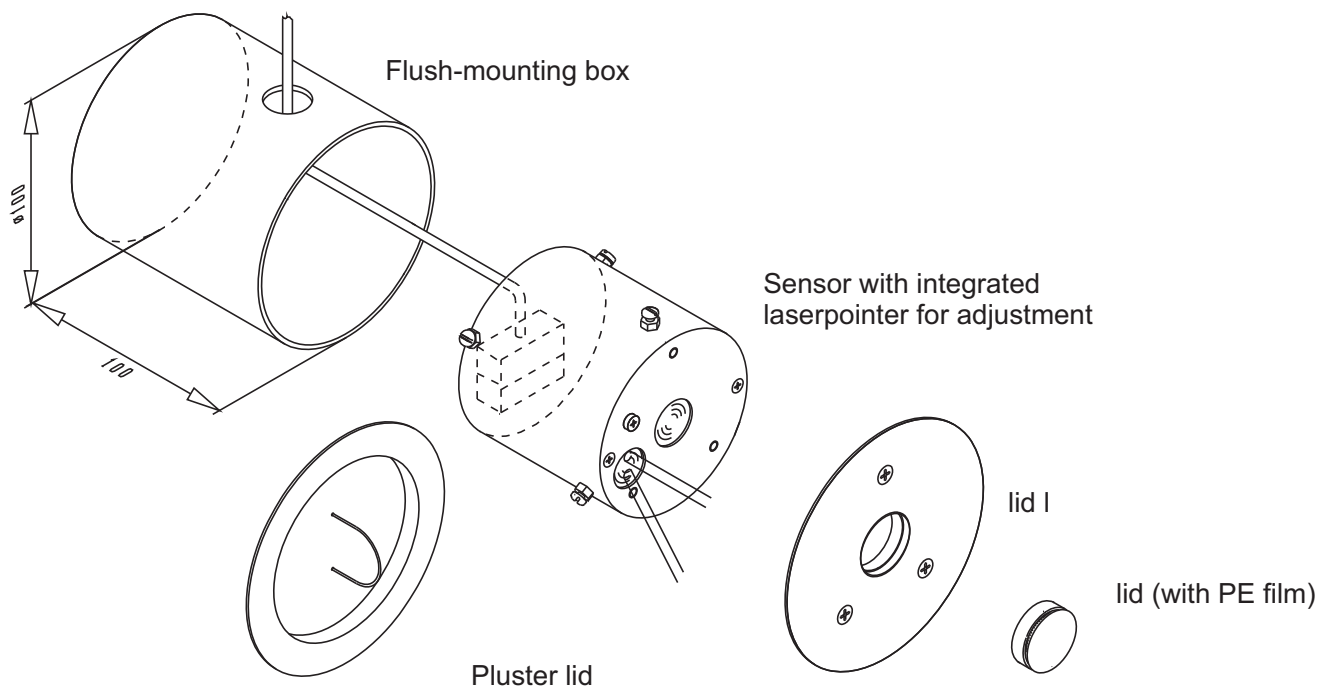
TECHNICAL DATA SPI 40 UP

Nominal range	40 m
Monitored spatial angle	
- vertical:	60°
- horizontal:	0,7°
Spectral sensitivity:	8 - 14 μm
Supply voltage:	12 V DC +/- 25 %
Power consumption:	0,25 W
Alarm output:	potential-free relay contact (normally open/normally closed), serial resistor 10 Ohm
Delay between power-on and ready for operation:	approx. 50 s
Connection:	Terminal
Ambient temperature:	-25 up to + 65°C
Case:	anodised aluminium + Flush-mounting box, diameter 100 mm, deep for installation 100 mm

(1) Recommended assembly height (over the floor): > 2m

ORDERING INFORMATION

SPI 40 UP	Passiv-IR-Teleskope; vertical aperture 60° with integrated laserpointer for the adjustment
-----------	---



© ASAS Systemtechnik GmbH 2009 / Subject to alternation

15/02/2009 / EN / V1 / 001